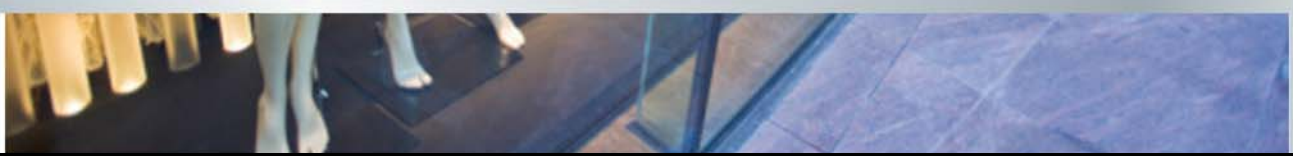
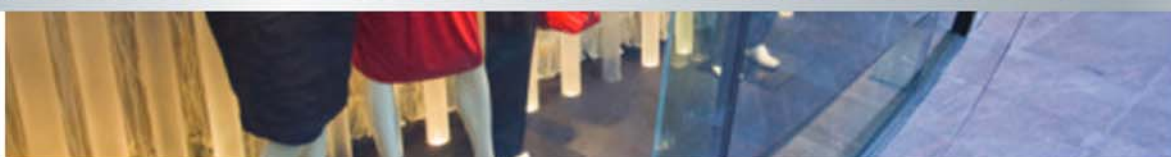


SHOWCASES

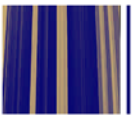
ESCAPARATES



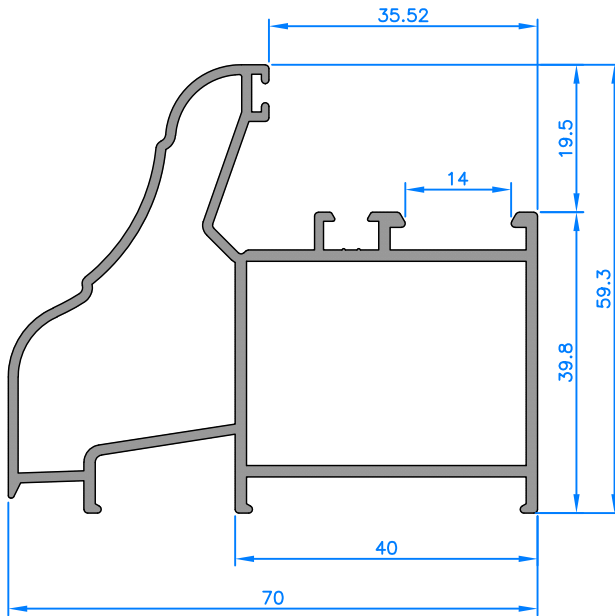


Profiles

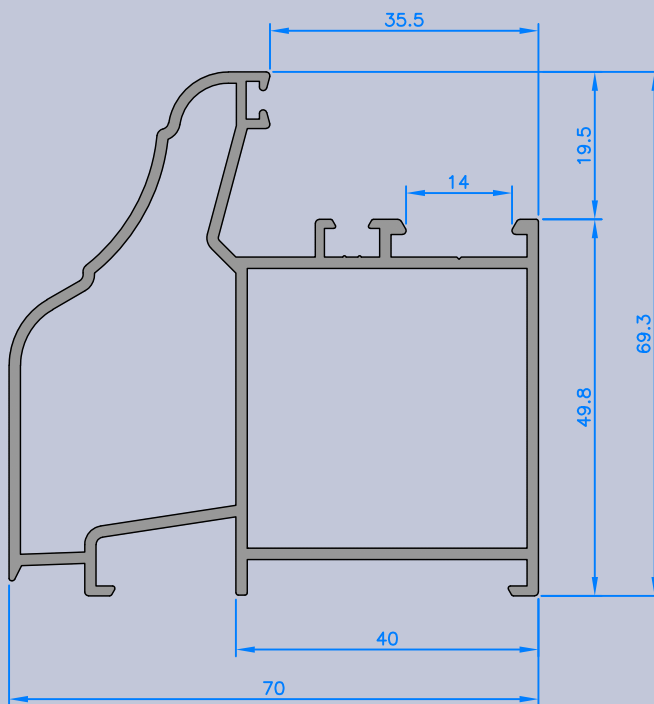
Perfiles



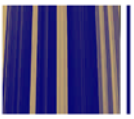
Profiles - Perfiles



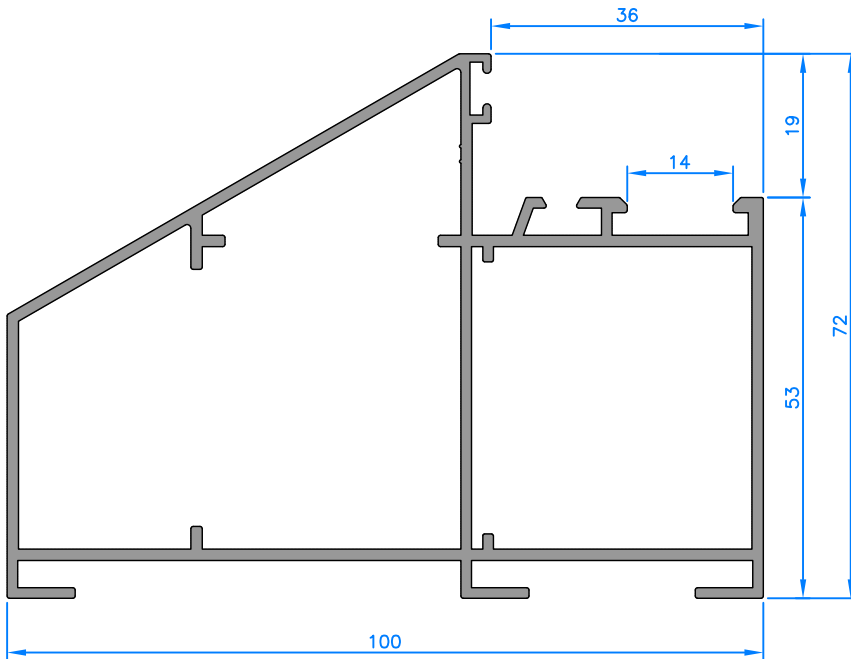
| | |
|------------------------|------------------|
| REFERENCE: | E1577 |
| REFERENCIA: | |
| VERSION: | 1 |
| WEIGHT - PESO: | 1170.20 gr/m |
| PERIMETER PERIMETRO | EXT. 334.06 mm |
| | INT. 274.00 mm |
| | TOTAL: 608.06 mm |
| THICKNESS - ESPESOR: | 1.50 mm |
| ØCIRCUMSCRIBED: | 79.06 mm |



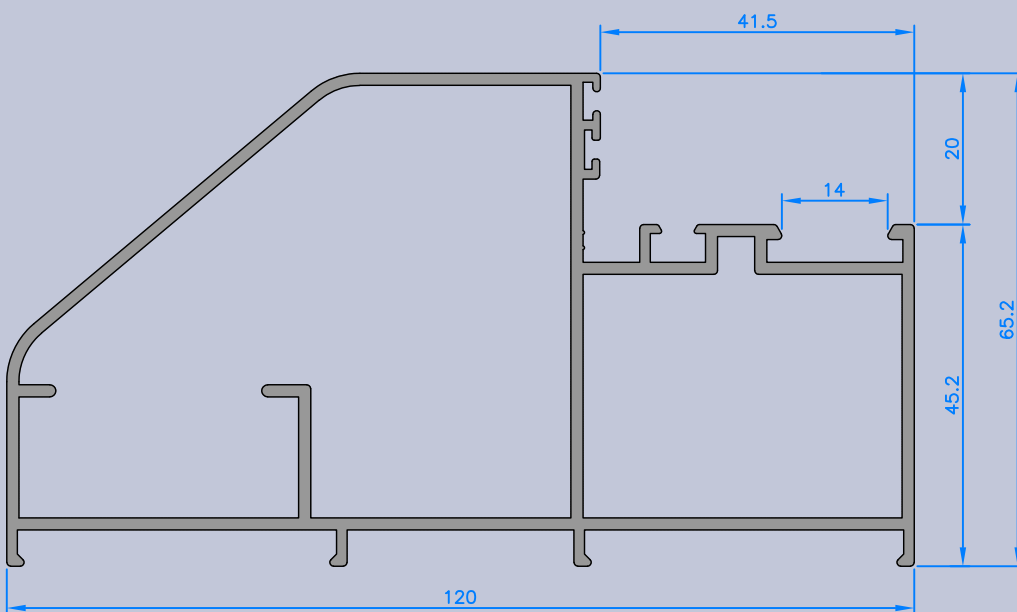
| | |
|------------------------|------------------|
| REFERENCE: | 943616 |
| REFERENCIA: | |
| VERSION: | 1 |
| WEIGHT - PESO: | 1366.89 gr/m |
| PERIMETER PERIMETRO | EXT. 361.24 mm |
| | INT. 312.15 mm |
| | TOTAL: 673.39 mm |
| THICKNESS - ESPESOR: | 1.50 mm |
| ØCIRCUMSCRIBED: | 86.22 mm |



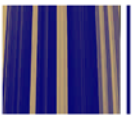
Profiles - Perfiles



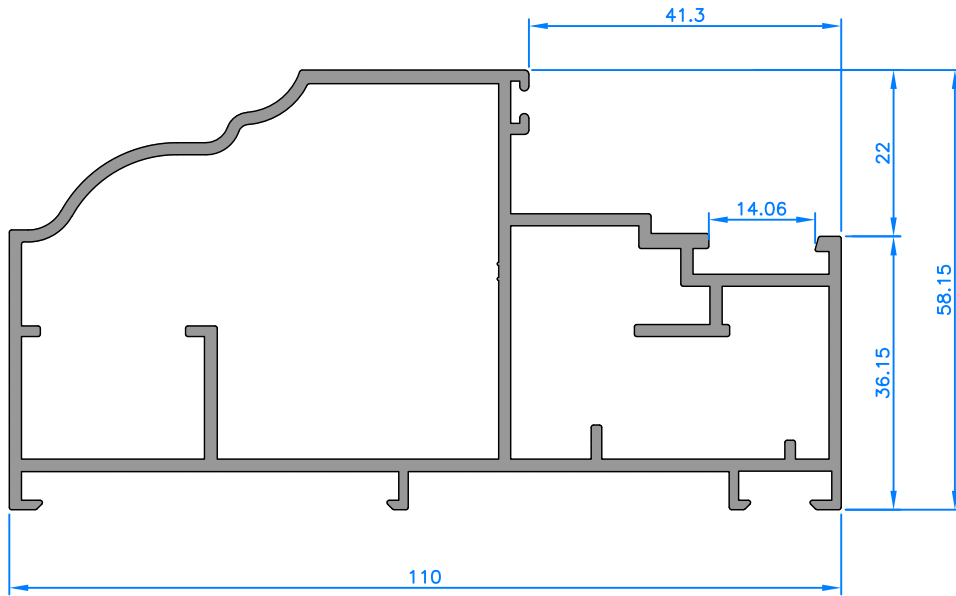
| | |
|------------------------|------------------|
| REFERENCE: | E1708 |
| REFERENCIA: | E1708 |
| VERSION : | 1 |
| WEIGHT - PESO: | 1724.97 gr/m |
| PERIMETER PERIMETRO | EXT. 443.87 mm |
| | INT. 411.17 mm |
| | TOTAL: 855.04 mm |
| THICKNESS - ESPESOR: | 1.50 mm |
| ØCIRCUMSCRIBED: | 113.00 mm |



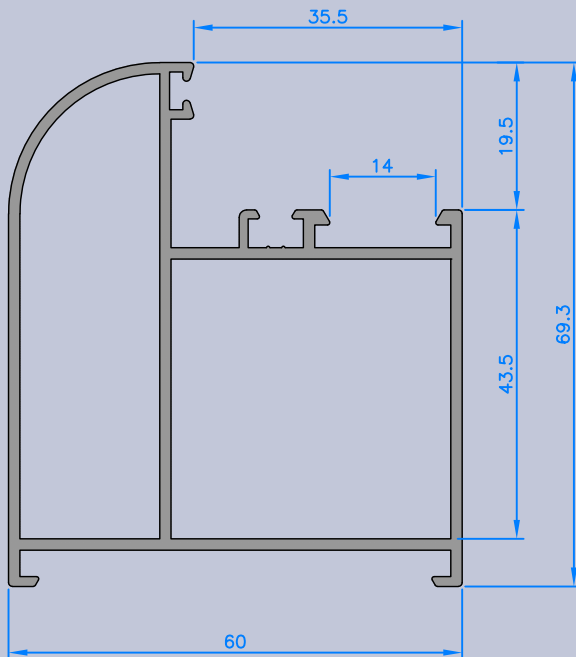
| | |
|------------------------|------------------|
| REFERENCE: | 9823216 |
| REFERENCIA: | 9823216 |
| VERSION : | 1 |
| WEIGHT - PESO: | 1923.26 gr/m |
| PERIMETER PERIMETRO | EXT. 441.63 mm |
| | INT. 448.79 mm |
| | TOTAL: 890.42 mm |
| THICKNESS - ESPESOR: | 1.60 mm |
| ØCIRCUMSCRIBED: | 127.94 mm |



Profiles - Perfiles



| | |
|------------------------|------------------|
| REFERENCE: | E1586 |
| REFERENCIA: | E1586 |
| VERSION: | 1 |
| WEIGHT - PESO: | 1867.81 gr/m |
| PERIMETER PERIMETRO | EXT. 398.59 mm |
| | INT. 451.36 mm |
| | TOTAL: 849.95 mm |
| THICKNESS - ESPESOR: | 1.60 mm |
| ØCIRCUMSCRIBED: | 115.89 mm |



| | |
|------------------------|------------------|
| REFERENCE: | 94211 |
| REFERENCIA: | 94211 |
| VERSION: | 1 |
| WEIGHT - PESO: | 1265.76 gr/m |
| PERIMETER PERIMETRO | EXT. 324.45 mm |
| | INT. 300.05 mm |
| | TOTAL: 624.50 mm |
| THICKNESS - ESPESOR: | 1.50 mm |
| ØCIRCUMSCRIBED: | 84.00 mm |